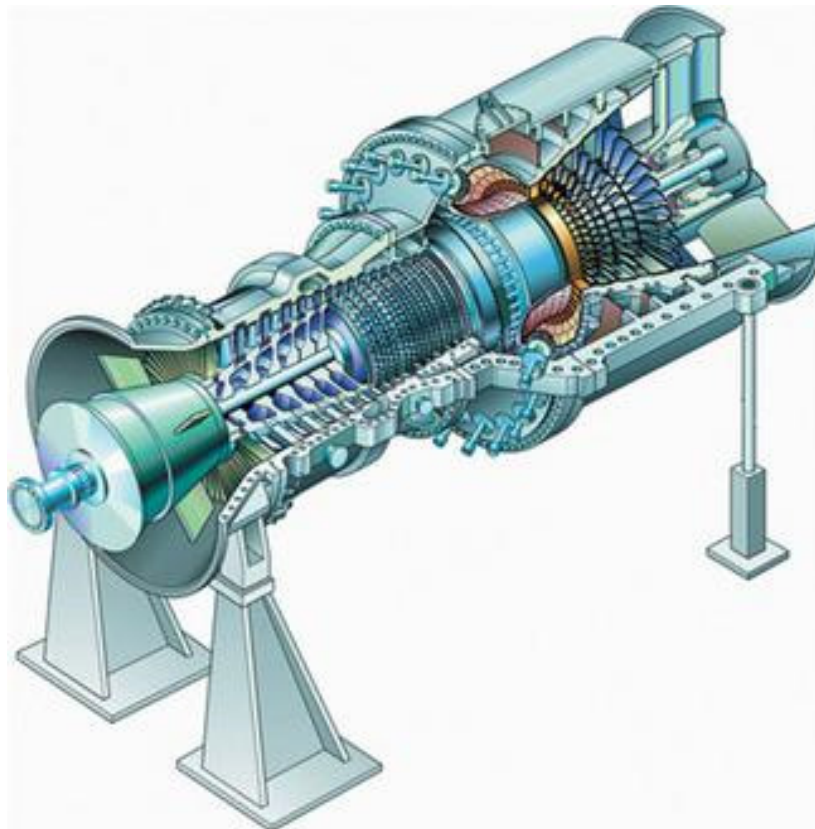


# SGT5-4000F USER CONFERENCE 2016

10, 11-13 OCTOBER 2016

Helsinki, Finland



**SIEMENS**

**ANSALDO  
ENERGIA**

 **FREUDENBERG**  
INNOVATING TOGETHER

**ARNOLD**   
GROUP

**PW Power Systems**

 **B&B-AGEMA**

 **GTUsers.com**

**CONTACT**  
YRJÖ KOMOKALLIO  
+358 40-5546355  
INFO@GTUSERS.COM  
YRJO.KOMOKALLIO@GTUSERS.COM

19.00-22.00 **MONDAY 10<sup>th</sup> of October**  
**RECEPTION BY ARNOLD GROUP**  
Registration desk is open 18-21.00

19.00-22.00 Registration and ARNOLD RECEPTION

GTUsers.com web site assistance desk is open whole evening. You can register to GTUsers, update your Plant data, ask questions etc.

9.00-17.00 **TUESDAY 11<sup>th</sup> of October** **USER DAY**  
(Registration desk open from 8.30-12-00)

9.00-9.10 Opening Word by a Steering Committee Member

9.10-10.10 **PLANT TECHNICAL PRESENTATIONS (END USER PRESENTATIONS)**  
Plant technical presentations. A short 10-15min presentation of major event(s) and lessons learned. After each presentation, 5 min discussion

10.10-10.30 **Coffee break**

10.30-12.30 Plant presentations continue  
Discussion

12.30-13.30 **Lunch**

13.30-14.15 **ARNOLD FULL SERVICES FOR V94.3A COVERING TYPES 02, 03, 04...?**

14.15-14.05 **Coffee break**

14.15-15.10 **PLANT PRESENTATIONS CONTINUE**  
Free discussion on problems encountered at the Plants. One person on each table will wrap up the discussion and present it to other tables.

15.10-15.25 **4000F Group WEB**  
Review of the GTUsers.com web developments and User feedback

15.30-17.00 **ANSALDO**  
**Company presentation...update on Ansaldo Organization**

**Service Capabilities**

**Fleet update**

19.00- **Dinner with Compliments of Ansaldo**

<b>8.30–17.00</b>	<b>WEDNESDAY 12<sup>th</sup> of October</b>
8.30-10.00	ANSALDO QA
<b>10.00–10.20</b>	<b>Coffee break</b>
10.20-11.10	ANSALDO PRESENTATIONS
11.10-12.30	ANSALDO BREAK OUT SESSIONS
<b>12.30–13.30</b>	<b>LUNCH</b>
13.30-14.15	PWPS –Services for V94.3A
<b>14.15-14.35</b>	<b>Coffee break</b>
14.35-14.50	Siemens INTRODUCTION
14.50-15.20	4000F Strategy
15.20-17.00	SIEMENS QA
<b>19.00–</b>	<b>Dinner with compliments of Siemens</b>

<b>8.30-15.00</b>	<b>Thursday 13<sup>th</sup> of October</b>
8.30-10.45	SIEMENS TECHNICAL BREAK OUTS
<b>10.45–11.15</b>	<b>Coffee break</b>
11.15-12.00	SIEMENS TECHNICAL BREAK OUTS
<b>12.00–13.00</b>	<b>LUNCH</b>
13.00-13.45	SIEMENS TECHNICAL BREAK OUTS
13.45-14.00	SIEMENS WRAP UP
14.00-14.05	CLOSING OF CONFERENCE